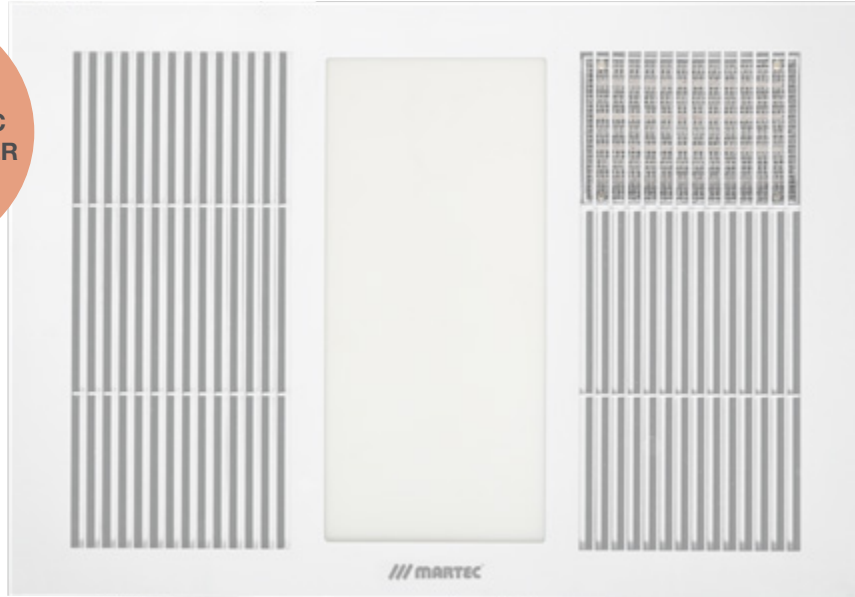




In-Home Warranty

3 IN 1 PTC CERAMIC HEATER EXHAUST FAN WITH 12W TRICOLOUR LED LIGHT

**2 X 1000W
POWERFUL PTC
CERAMIC HEATER
ELEMENTS**



The Vapour features a dedicated 12W Tricolour integrated LED panel light, 2 x 1000W PTC ceramic heating elements, and an exhaust fan to circulate air in your bathroom.

- Turbo blade fan design
- Powerful PTC heating element technology
- 12W Tricolour LED light
- Includes 3m of flexible aluminium ducting
- High performance ball bearing motor
- Self-closing back draft shutter



Tricolour LED



PTC Heating Element



Protected From Dripping Water



PTC Heat Element Wattage



Ultra Low Profile



Instant Steam Extraction



High Extraction

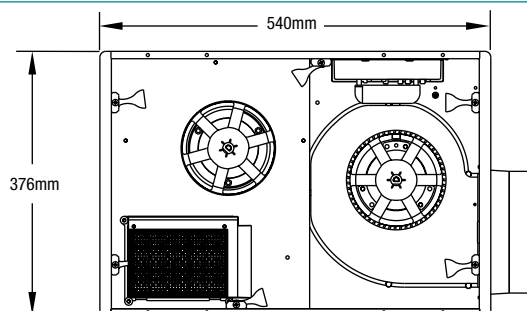
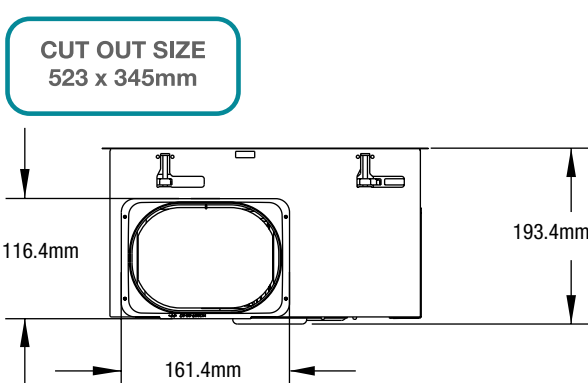


High Performance Ball Bearing Motor



Low Noise

DIMENSIONS



Aust/NZ Approval No. SAA-192399-EA

3 IN 1 PTC CERAMIC HEATER EXHAUST FAN WITH 12W TRICOLOUR LED LIGHT

FEATURES

- Turbo blade fan design
- Powerful PTC heating element technology
- 12W Tricolour LED light
- Powerful high air/steam extraction exhaust fan
- Modern ultra-low profile design
- Includes 3m of flexible aluminium ducting
- High performance ball bearing motor
- Self-closing back draft shutter
- Built-in safety thermostat switch that will automatically turn off the unit if the internal temperature exceeds 80°C



SPECIFICATIONS

Model name	Vapour
Model number	MBHV2000W
Power (wattage)	55W
Voltage	220v-240v
Rated Frequency	50Hz
Exhaust air movement (m³/hr)	380m³/hr
Motor	Ball bearing
Heat type (wattage)	2 x1000W PTC heat elements
Light type	Tricolour LED
Light wattage	12W
Colour Temperature	3000k / 4000k / 5000k
Colour Temperature index	>80
Lumens	≥900lm
Weather resistance rating	IPX2
Control type	5 gang wall switch included
Fascia size (mm)	L540 x W376 x H193.4mm
Cut out size (mm)	523 x 345mm
Duct outlet diameter (mm)	150mm
Aluminium duct	150 x 150 x 3000mm
Minimum installation depth	200mm

INSTALLATION

Installation	By licensed electrician only
Warranty	2 Year In-home warranty

* For further information regarding warranty terms and conditions, please refer to enclosed warranty statement. Warranty is void unless installed by a licensed electrician.

SHIPPING

Packaging size	L705 x H280 x D435mm
Gross weight	10.85kg
Pallet qty	2

AVAILABLE IN WHITE

White

Model	Colour	Barcode
MBHV2000W	White	 9312375507000